



Quickie TS

EIQT, Effective December 1, 2007

ACCOUNT INFORMATION

Account No: _____
 Date: _____
 P.O. #: _____
 Buyer: _____
 Marked For: _____

Drop Ship/Ship To: _____
 Name: _____
 Address: _____
 City: _____ State: _____
 Zip Code: _____ Phone Number: _____

QUICKIE TS

E1161 Quickie TS ¹ \$2,237.00

FRAMES

Base Frame

043FS4 Growing Base NC
 043FS2 Flared Front Growing Base ⁹ \$200.00

Seat Frame

043FT49 Growing Seat Frame STD
 043FT46 Contracture Growing Seat Frame ² \$200.00

Heavy Duty Option

43WT2 Heavy-Duty Option ^{1,3} \$145.00
 (Maximum weight 350 lbs.)

Seat Frame Position (See Page 4 for Chart)

043SP1 Std. Seat Frame Position NC
 043SP2 -1" Seat Frame Position NC
 043SP3 -2" Seat Frame Position NC

Tilt Option

043TT1 Gas Cylinders NC
 043TT2 Dual Mech Locks ⁴ NC

Frame Color

043C2 Black NC
 043C10 Black Opal NC
 043C1 Blue NC
 043C38 Blue Opal NC
 043C36 Candy Blue NC
 043C35 Candy Red NC
 043C39 Candy Turquoise NC
 043C6 Forest Green NC
 043C4 Midnight Purple NC
 043C37 Orange NC
 043C5 Pearl Pink NC
 043C40 Razzleberry NC
 043C11 Toxic Green NC
 043C8 Yellow NC

Custom Color

043C41 Berry Vibrations \$210.00
 043C20 Graphite \$210.00
 043C42 Stars and Stripes \$210.00
 043C43 Mossy Oak Camouflage \$210.00

Frame Width

043W5 14" NC
 043W6 15" NC
 043W7 16" NC
 043W8 17" NC
 043W9 18" NC
 043W10 19" NC
 043W11 E2201 20" \$300.00

Frame Depth & Back Post Location (See Diagram on Page 4)

043FL5 Short

043BL1 14" ⁵ NC
 043BL2 15" NC
 043BL3 16" NC
 043BL4 17" NC

043FL11 Regular

043BL3 16" ⁵ NC
 043BL4 17" NC
 043BL5 18" NC
 043BL6 19" NC

043FL21 Long

043BL6 19" ⁵ NC
 043BL7 E2203 20" \$300.00
 043BL8 E2203 21" \$300.00
 043BL9 E2204 22" \$300.00

SEATING

Attach Order Form for Seating For:

- Jay Fit Seating
- Standard Conventional Seating (See Page 4)
- Custom Conventional Seating

043PN1 E2618 Aluminum Solid Seat Base \$75.00

Back Type

043BT8 Angle Adjustable Backrest NC
 043BT5 E1225 Reclining Backrest ^{6,7,8} \$700.00

FOOTNOTES:

- ¹ The Quickie TS product is not available with seat or back upholstery nor does it include seating. To order seating, see "Standard Conventional Seating System" on page 4 of this order form.
- ² Contracture seat frame manufactured without footrest hanger tubes. Use with Contracture Footrest System.
- ³ The Quickie TS Heavy-Duty models use 24" Pneumatic rear tires and 8" x 2" Pneumatic front tires only. Heavy-Duty Quickie TS Max Wt. Capacity is 350 lbs.
- ⁴ Not available with reclining back.
- ⁵ Dual post armrests not available with 14" short, 16" regular, or 19" long frame depth/back post location options.
- ⁶ Not available with low stroller handles.
- ⁷ Not available with swing-away adjustable stroller handles.
- ⁸ Not available with dual mech locks.
- ⁹ Required for Contracture Footrest System.
- ¹⁰ Flared frame is needed.

Stroller Handle Back Posts (For Adaptive Seating)			
<input type="checkbox"/>	043BP9	Low (25-3/4" Ht.)	NC
<input type="checkbox"/>	043BP10	Medium (28-3/4" Ht.)	NC
<input type="checkbox"/>	043BP11	Tall (31-3/4" Ht.)	NC
<input type="checkbox"/>	043BP12	Removable Stroller Handle Ext. ¹	\$85.00
<input type="checkbox"/>	043BP15	Swing Away Adjustable Stroller ²	\$100.00

ARMREST

Armrest			
<input type="checkbox"/>	043AA26	Dual Post ³	NC
<input type="checkbox"/>	043AA39 E0973	Dual Post Height Adjustable ³	\$230.00
<input type="checkbox"/>	043AA43	Dual Post Flip Back ³	\$95.00
<input type="checkbox"/>	043AA48 E0973	Dual Post Flip Back Height Adjust. ³	\$235.00
<input type="checkbox"/>	043AA8 E0973	Height Adjustable Adult	\$230.00
<input type="checkbox"/>	043AA9 E0973	Height Adjustable Kids	\$230.00
<input type="checkbox"/>	043AA1 E0973	Adjustable Locking Flip-Up ⁴	\$230.00

Armpad			
<input type="checkbox"/>	043AM1	Desk Length (10")	NC
<input type="checkbox"/>	043AM2	Full Length (14")	NC

FOOTREST

1. Hanger Mounted Footrest (Footrests Mount to Hanger Tubing)			
<input type="checkbox"/>	043H7	70° Swing-Away Front Mount	NC
<input type="checkbox"/>	043H8	80° Swing-Away Front Mount	NC
<input type="checkbox"/>	043H6	90° Swing-Away Front Mount	NC
<input type="checkbox"/>	043H9	70° Heavy-Duty Front Mount Lift-Off	NC
<input type="checkbox"/>	043H10	80° Heavy-Duty Front Mount Lift-Off	NC
<input type="checkbox"/>	043H23 E0990	90° Elevating ^{5,6}	\$255.00

Extensions

<input type="checkbox"/>	043E23	2"	\$30.00
<input type="checkbox"/>	043E16 K0037	High Mount ^{5,7}	\$55.00

Footplate

<input type="checkbox"/>	043F4 K0040 ²⁵	Kids Angle Adjustable w/Leg Strap ⁸	\$150.00
<input type="checkbox"/>	043F3 K0040 ²⁴	Adult Angle Adjustable w/Heel Loops	\$150.00
<input type="checkbox"/>	043F62 K0038	90° Footboard w/Leg Strap ⁸	\$150.00

2. Extension Tube Mounted Footrests (Footrests Mount to Ext. Tubes)			
--	--	--	--

<input type="checkbox"/>	043H1	60° Swing-Away	NC
<input type="checkbox"/>	043H2	70° Swing-Away	STD
<input type="checkbox"/>	043H3	70° ^{OV} Swing-Away ⁹	NC
<input type="checkbox"/>	043H14 E0990	Elevating ¹⁰	\$255.00
<input type="checkbox"/>	043H24 K0053	Articulating Adult ^{12,13,14}	\$325.00

Extension Tube

<input type="checkbox"/>	043E1	Short (11.5" - 14") ¹⁰	NC
<input type="checkbox"/>	043E2	Medium (14" - 17")	NC
<input type="checkbox"/>	043E5	Long (17" - 19")	NC

Footplate

<input type="checkbox"/>	043F1	Composite w/Heel Loops ^{15,16}	Std
<input type="checkbox"/>	043F5	Aluminum ¹⁷	NC
<input type="checkbox"/>	043F3 K0040 ²⁴	Adult Angle Adjust. w/Heel Loops ¹⁵	\$150.00
<input type="checkbox"/>	043F48 K0040 ²⁵	Platform Flip-Up w/Leg Strap ¹⁵	\$155.00

Footrest Options			
-------------------------	--	--	--

<input type="checkbox"/>	043IG2	Impact Guard Neoprene ¹⁸	\$85.00
<input type="checkbox"/>	043A110 E0952	Toe Loop (each)	\$20.00
<input type="checkbox"/>	043HL5 K0038	Leg Strap ²³	NC
<input type="checkbox"/>	043H32	Omit Hanger	-\$15.00
<input type="checkbox"/>	043F7	Omit Hanger & Extension Tube	-\$15.00
<input type="checkbox"/>	043HL4	Omit Heel Loop	NC
<input type="checkbox"/>	043HL6	Omit Single Leg Strap	NC

3. Contracture Footrest System (CFS)			
---	--	--	--

(Multi-Adjustable Padded Hangers & Angle Adjustable Aluminum Footrests) ^{19,20}

<input type="checkbox"/>	043H26	Contracture Footrest System ²¹	\$325.00
	043E25	Short	
<input type="checkbox"/>	043EP1	10.5" Extension Height	NC
<input type="checkbox"/>	043EP2	11.0" Extension Height	NC
<input type="checkbox"/>	043EP3	11.5" Extension Height	NC
<input type="checkbox"/>	043EP4	12.0" Extension Height	NC
<input type="checkbox"/>	043EP5	12.5" Extension Height	NC
<input type="checkbox"/>	043EP6	13.0" Extension Height	NC
	043E26	Regular	
<input type="checkbox"/>	043EP5	12.5" Extension Height	NC
<input type="checkbox"/>	043EP6	13.0" Extension Height	NC
<input type="checkbox"/>	043EP7	13.5" Extension Height	NC
<input type="checkbox"/>	043EP8	14.0" Extension Height	NC
<input type="checkbox"/>	043EP9	14.5" Extension Height	NC
<input type="checkbox"/>	043EP10	15.0" Extension Height	NC
	043E27	Long	
<input type="checkbox"/>	043EP9	14.5" Extension Height	NC
<input type="checkbox"/>	043EP10	15.0" Extension Height	NC
<input type="checkbox"/>	043EP11	15.5" Extension Height	NC
<input type="checkbox"/>	043EP12	16.0" Extension Height	NC
<input type="checkbox"/>	043EP13	16.5" Extension Height	NC
<input type="checkbox"/>	043EP14	17.0" Extension Height	NC

CASTERS

<input type="checkbox"/>	043CW5	5" Low-Profile Polyurethane	Std
<input type="checkbox"/>	043CW7	5" x 1.5" Semi-Pneumatic ²²	\$85.00

FOOTNOTES:

- Not available with swing-away adjustable stroller handles.
- Not available with removable stroller handle extension.
- Dual post armrests not available with 14" short, 16" regular, or 19" long frame depth/backpost location options.
- Not available with armpads.
- Available with adult and kids angle adjustable footplates only.
- Not available on widths over 16" (designed for pediatric).
- Not available with elevating legrests.
- Only available on 14"-16" width frames.
- Not available with short extension tubes or high mount extension tubes.
- Available with aluminum and angle adjustable footplates only.
- Not available with short extension tubes.
- Not available with high-push wheel locks and short footrest extension tubes.
- Not available on 14" frame widths.
- Only available with composite and adult angle adjustable footplates.
- When ordered with 70°V hangers, avail. on frame widths 17" or greater only.
- Only available with 60°, 70°, or 70°V hangers and articulating legrests.
- Available with elevating legrests only.
- Available with 60° or 70° hangers with extension tubes only.
- Contracture seat frame manufactured without footrest hanger tubes. Use with
- Best when used with Contracture Footrest Seat Frame and Flared Front End.
- Length measurement taken from top of seat rail to top of footrest plate when CFS is set at 90°. Footrest plate width determined by seat frame width. CFS may interfere with front caster rotation when Quickie TS is in non-tilt position.
- Caster wheel interferes with caster fork in the upper hole position.
- Not available with elr, air, 90° elr or contracture footrest.
- Should additionally be billed as E0951.
- Should additionally be billed as K0038.

Casters (Continued)		
<input type="checkbox"/>	043CW33	6" Pneumatic \$75.00
<input type="checkbox"/>	043CW34	6" Polyurethane NC
<input type="checkbox"/>	043CW35	6" x 1.5" Semi-Pneumatic ¹ \$85.00
<input type="checkbox"/>	043CW21	8" Pneumatic ² \$75.00
<input type="checkbox"/>	043CW32	8" Polyurethane ² NC
<input type="checkbox"/>	043CW39	8" x 1.5" Semi-Pneumatic ^{1,2} \$85.00
<input type="checkbox"/>	043CW36	8" x 2" Pneumatic ² \$145.00
<input type="checkbox"/>	043CW37 K0064	8" x 2" Pneumatic w/Airless Ins. ² \$225.00

Caster Options		
<input type="checkbox"/>	043CS5	3/4" Longer Fork Stem Bolt NC
<input type="checkbox"/>	043CS9	1-1/2" Longer Fork Stem Bolt NC
<input type="checkbox"/>	043CW12	Omit caster wheel and tire NC
<input type="checkbox"/>	043CF30	Omit Caster Wheels and Forks -\$30.00
<input type="checkbox"/>	043CS4	Quick-Release Caster Stems ³ \$160.00

AXLE AND WHEEL		
Axle Plate		
<input type="checkbox"/>	043AL1	Standard Axle Plate NC
<input type="checkbox"/>	043AL21	Self-Propelling 0° Axle ⁴ \$150.00
<input type="checkbox"/>	043AL22	Self-Propelling 4° Axle ⁴ \$150.00
<input type="checkbox"/>	043AL17 E0958	One Arm Drive Axle Plate ⁵ \$795.00
<input type="checkbox"/>	043OA2	One Arm Drive Standard Handrim NC
<input type="checkbox"/>	043HM1	Right Hand Mount NC
<input type="checkbox"/>	043HM2	Left Hand Mount NC
<input type="checkbox"/>	043OA1	One Arm Drive Small Handrim NC
<input type="checkbox"/>	043HM1	Right Hand Mount NC
<input type="checkbox"/>	043HM2	Left Hand Mount NC

Axle		
<input type="checkbox"/>	043AX1	Quick Release Axles NC
<input type="checkbox"/>	043RR25	Omit Rear Wheel and Axle -\$55.00

Rear Wheel ^{6,7}		
<input type="checkbox"/>	043RW13	12" Mag Wheel ⁸ \$40.00
<input type="checkbox"/>	043RW14	16" Mag Wheel ⁸ \$40.00
<input type="checkbox"/>	043RW3	20" Mag Wheel NC
<input type="checkbox"/>	043RW8	22" Mag Wheel NC
<input type="checkbox"/>	043RW1	24" Mag Wheel ⁹ NC
<input type="checkbox"/>	043RW12	18" Spoke Wheel \$100.00
<input type="checkbox"/>	043RW4	20" Spoke Wheel \$200.00
<input type="checkbox"/>	043RW9	22" Spoke Wheel \$200.00
<input type="checkbox"/>	043RW2	24" Spoke Wheel ⁹ \$100.00

Rear Wheel Tire		
<input type="checkbox"/>	043RT3	Full Polyurethane ¹⁰ NC
<input type="checkbox"/>	043RT1	Pneumatic ⁹ NC
<input type="checkbox"/>	043RT2 K0064	Pneumatic Airless Insert \$70.00
<input type="checkbox"/>	043RT6	High Pressure Clincher ¹¹ \$95.00
<input type="checkbox"/>	043RT8	Kevlar ¹² \$95.00
<input type="checkbox"/>	043RT4	Low Polyurethane ¹² NC

Handrim ⁸		
<input type="checkbox"/>	043HR1	Aluminum Anodized NC
<input type="checkbox"/>	043HR4	Plastic Coated \$85.00
<input type="checkbox"/>	043HR7	Omit Handrim ¹⁸ -\$20.00

Projections (not available on plastic coated) ¹³		
<input type="checkbox"/>	043HR8	8 Oblique \$195.00
<input type="checkbox"/>	043HR10	12 Oblique \$195.00
<input type="checkbox"/>	043HR9	8 Vertical ¹⁴ \$195.00
<input type="checkbox"/>	043HR11	12 Vertical ¹⁴ \$195.00

Wheel Lock		
<input type="checkbox"/>	043WL1	High Mount Push Wheel Lock NC
<input type="checkbox"/>	043WL2	High Mount Pull Wheel Lock NC
<input type="checkbox"/>	043WL11	Foot Wheel Lock (Only 12" whl) \$50.00
<input type="checkbox"/>	043WL10	Omit Wheel Lock NC

Grade Aid		
<input type="checkbox"/>	043GA1 E0974	Grade Aid ¹⁴ \$90.00

Extension Handle		
<input type="checkbox"/>	043EH1 E0961	6" Pair \$60.00
<input type="checkbox"/>	043EH2 E0961	6" Right \$30.00
<input type="checkbox"/>	043EH3 E0961	6" Left \$30.00

Anti-Tip		
<input type="checkbox"/>	043AO1 E0971	Front Anti-Tip \$150.00
<input type="checkbox"/>	043AT5 E0971	Rear Anti-Tip \$135.00

ACCESSORIES		
Backpack		
<input type="checkbox"/>	043A1	Black Utility Backpack \$55.00
<input type="checkbox"/>	043A2	Black/Charcoal Kids \$50.00

Seat Pouch		
<input type="checkbox"/>	043A10	Black \$45.00

Extra Leg Strap		
<input type="checkbox"/>	043A54 K0038	Black \$30.00

Miscellaneous		
<input type="checkbox"/>	043A82	Caddy ¹⁶ \$45.00

Positioning Belt		
<input type="checkbox"/>	043A15 E0978	1.5" Auto Buckle w/Clamps \$60.00
<input type="checkbox"/>	043A12 E0978	2" Aircraft Buckle \$85.00
<input type="checkbox"/>	043A13 E0978	2" Aircraft Buckle Padded \$115.00
<input type="checkbox"/>	043A14 E0978	2" Dual Pull Side Squeeze Padded \$85.00

Spoke Guard ¹⁰		
<input type="checkbox"/>	043A24 K0065	Clear \$90.00
<input type="checkbox"/>	043A23 K0065	Black \$90.00

Touch-Up Paint		
<input type="checkbox"/>	043A27	Frame \$25.00
		Color: _____

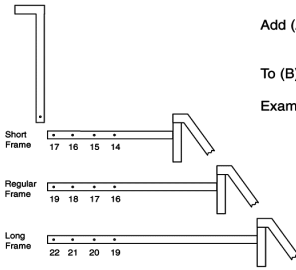
Wheelchair Tray Table (Must include armrest)		
<input type="checkbox"/>	043A176 E0950	Medium (14") \$200.00
<input type="checkbox"/>	043A177 E0950	Large (15"-17") \$200.00
<input type="checkbox"/>	043A178 E0950	X-Large (18"-20") \$200.00

Side Guard		
<input type="checkbox"/>	043SG3	Plastic Regular ¹⁷ \$120.00
<input type="checkbox"/>	043SG4	Plastic Kids ¹⁷ \$120.00

TOTAL CHAIR PRICE **\$** _____

FOOTNOTES:

- ¹ Caster wheel interfere with caster fork in the upper hole position.
- ² Not available with 90° hangers and 90° elevating legrest.
- ³ Not available with 3/4" or 1-1/2" fork stem bolts, or 8" x 2" front casters.
- ⁴ Available with 24" and 26" rear wheels only. Tilt is limited to 33°. (Rear floor-to-seat height 18" with 24" rear wheels, 19" with 26" rear wheels.)
- ⁵ Only available with mag wheels.
- ⁶ 12", 16", and 18" wheels only available with Pneumatic and Pneumatic with Airless Inserts.
- ⁷ 20", 22" only available with Pneumatic, Pneumatic w/Airless Inserts and Full Polyurethane.
- ⁸ Handrims not available for 12" or 16" rear wheels.
- ⁹ The Quickie TS Heavy Duty models use 24" pneumatic rear tires and 8" x 2" pneumatic front tires only. Heavy Duty Quickie TS max. wt. capacity 350 lbs.
- ¹⁰ Not available with 12", 16", and 18" rear wheels.
- ¹¹ Available with 24" spoke wheels only.
- ¹² Available on 24" rear wheels only.
- ¹³ Only available on 24" wheels.
- ¹⁴ Not available with polyurethane, low profile polyurethane, or high-pressure clincher tires.
- ¹⁵ Available with 12" rear wheels only.
- ¹⁶ Only available with footrests with extension tubes.
- ¹⁷ Not available with dual post armrest styles or single post height adj. armrests
- ¹⁸ Does not apply to 12" & 16" wheels.
- ¹⁹ Only available with 20", 22" and 24" mag wheels.

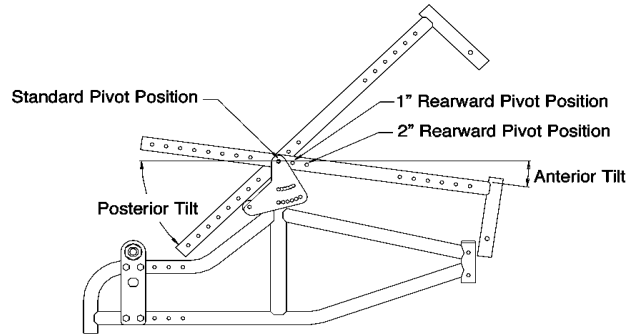


To Determine Factory Back Post Setting:

Add (A): Back insert thickness with attachment hardware length (if applicable)

To (B): End user seat depth

Example: A=1"
B=16"
17"=Factory Back Post Setting



Seat Frame Position	Tilt Available
Standard	45°
-1"	39°
-2"	33°

STANDARD CONVENTIONAL SEATING SYSTEM

INSERT SPECIFICATIONS *

- Seat Width
- Seat Depth (Actual client measurement)
- Back Width
- Back Height
- Client Chest Width
- Chair Make
- Chair Model

* Seat and back inserts must be same width as wheelchair frame.

ALL ATTACHING SEAT AND BACK HARDWARE INCLUDED

For 1" tubing only

Standard Planar Back includes 1" foam thickness

Standard "1" Back includes 1" foam thickness

Standard Planar cushion includes 1.5" foam with 2" x 2" rear notches for 4" growth

Standard Wedge cushion has 2" x 2" rear notches for growth

- 1.5" foam at rear to 2" foam at front for small cushions up to 15" long
- 1.5" foam at rear to 3" foam at front for large cushions longer than 15"

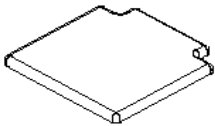
Medium Poly Foam *

** No substitutions or other modifications.

Hardware Transit Approved.

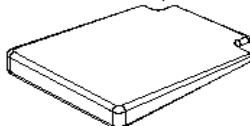
SEAT

Standard Planar



___ Up to 15" wide: \$340
___ Over 15" wide: \$375

Standard Wedge Modification



___ Up to 15" wide: \$455
___ Over 15" wide: \$490

POSITIONING ACCESSORY OPTIONS

Lateral Hip Supports \$195/pr

- Small pads = 3 x 4
- Large pads = 4 x 6

Lateral Thigh Supports \$195/pr

- Small pads = 3 x 4
- Large pads = 4 x 6

Fixed Brackets (included)

- Straight
- 1" Inset
- 2" Inset

Flip down adj. Medial thigh support \$430

- Small pads = 3 x 4 with cover
- Large pads = 4 x 6 with cover

Pelvic Positioning Belt

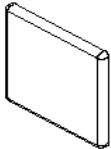
- Small = 1" padded dual pull \$70/ea
- Large = 1.5" padded dual pull \$80/ea

Choose Fabric

- Naugahyde (black only) N/C
- Parapak (black only) N/C

BACK

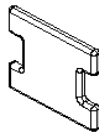
Standard Planar



___ Up to 15" wide: \$325
___ Over 15" wide: \$360

Standard I-Back

(must provide client chest width)



___ Up to 15" wide: \$430
___ Over 15" wide: \$460

POSITIONING ACCESSORY OPTIONS

Lateral Thoracic Supports \$190/pr

- Small pads = 3 x 4 flat
- Large pads = 4 x 6 flat

Fixed Brackets (included)

- Straight
- 1" Inset
- 2" Inset

Slide In Headrest \$220

- Small pad=3-1/2" x 7-3/4" w/short shaft
- Large pad=5-1/2" x 10-1/2" w/long shaft

Anterior Trunk Support \$120

- Small harness
- Medium harness

Choose Fabric

- Naugahyde (black only) N/C
- Parapak (black only) N/C